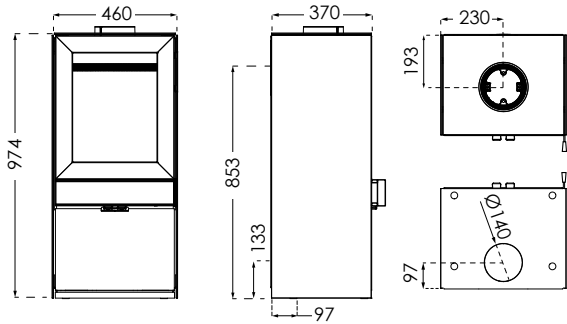


TT60 SERIES TECHNICAL SPECIFICATIONS

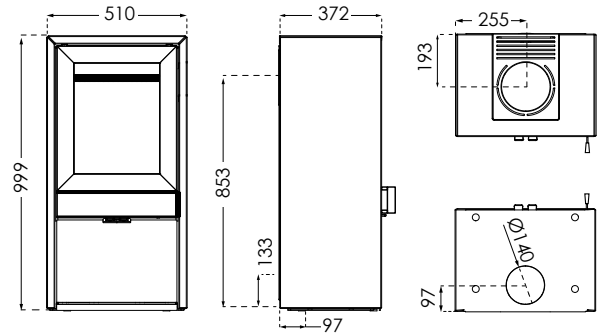
TT60

Combustion chamber W/D: 380/260 Weight in kg: 139



TT60S

Combustion chamber W/D: 380/260 Weight in kg: 179

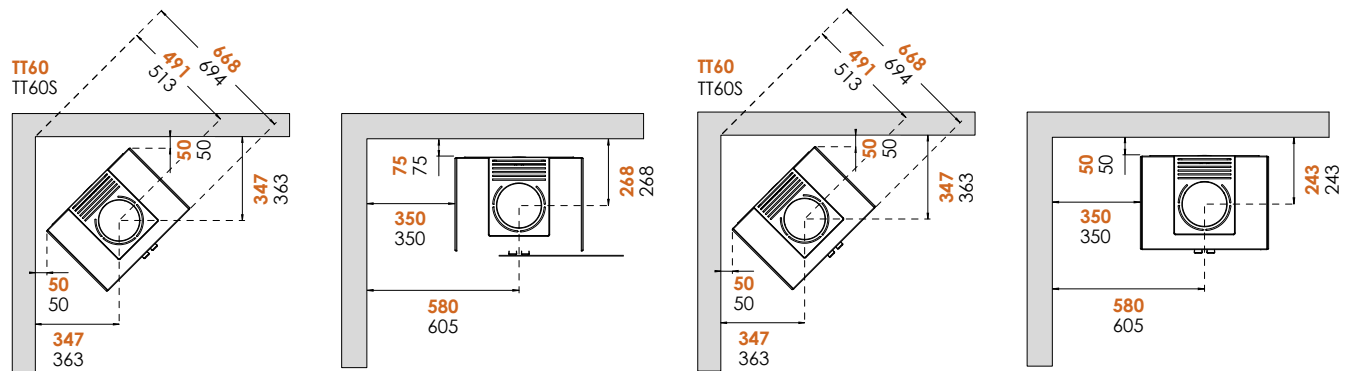


DISTANCE TO COMBUSTIBLE MATERIAL

TT60/TT60S

WITH UNINSULATED FLUE PIPE

WITH INSULATED FLUE PIPE

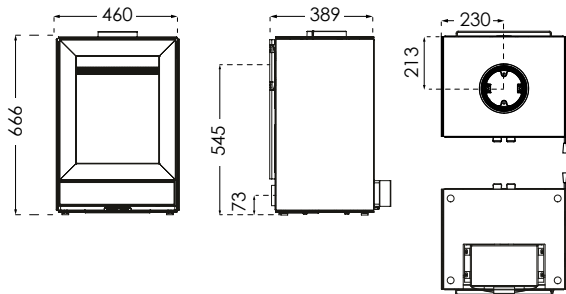


In order to avoid discolouration of painted and treated surfaces, TernaTech recommends the same distance from flammable materials as for non-flammable materials. This distance increases the convection itself around the stove and also eases cleaning. All distances relate solely to the distance of the stove from flammable materials. No account has been taken of national requirements for the use of stove flues or their distance from flammable materials.

TT60 SERIES TECHNICAL SPECIFICATIONS

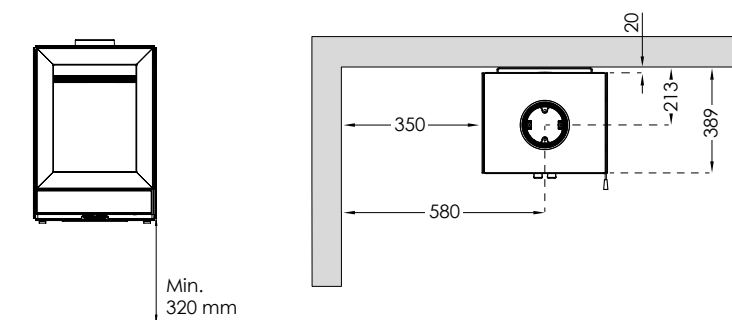
TT60W

Combustion chamber W/D: 380/260 Weight in kg: 118



DISTANCE TO COMBUSTIBLE MATERIAL

TT60W



TT60W is designed for mounting on a non-flammable wall. If the floor covering is flammable, the stove must be mounted at least 320 mm above the floor. Talk to your dealer and/or chimney sweep about the best fireproof mounting solution.